

LEDHB LINEAR HIGH-BAY LED LUMINAIRE



THIS LED LINEAR HIGH-BAY FIXTURE IS IDEAL FOR COMMERCIAL AND INDUSTRIAL APPLICATIONS SUCH AS PARKING GARAGES, SPORTS COMPLEXES AND WAREHOUSES THAT UTILIZE FLUORESCENT LINEAR HIGH-BAY FIXTURES. THIS LUMINAIRE FEATURES A HIGH-STRENGTH CLEAR/DIFFUSED POLYCARBONATE LENS FOR EVEN ILLUMINATION AND COMES STANDARD WITH A 0-10V DIMMING DRIVER.

PROJECT NAME _____

PART NUMBER _____

PART NUMBER BUILDER

MANUFACTURER	MODEL NUMBER	SIZE	LUMEN	CRI/CCT	DRIVER TYPE	LENS TYPE	GEN
RPT	LEDHB	24IN 48IN	140L** 200L** 170L*** 230L*** 300L*** 400L***	840* 850	10VDIM 100-277V 0-10V Dimmable driver [STANDARD] HV 347-480V 0-10V Dimmable driver OCC Built-in Occupancy HC403VRC-KD EMG Emergency power pack	FL Frosted lens CL* Clear Lens WL Without lens	G1

ORDERING EXAMPLE
RPT-LEDHB-24IN-140L-840-10VDIM-FL-G1

* CUSTOM ORDER
** 24 IN ONLY
*** 48 IN ONLY
STANDARD: 0-10V DIMMABLE DRIVER

INSTALLATION GUIDE

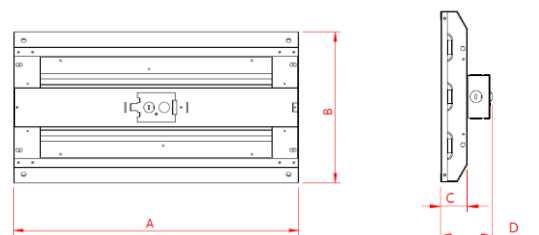
- Turn off power to the fixture.
- Take the hooks through the hoop of the chains supplied, Install the hooks into the fixture holes. Hang the chains to the installation location and adjust the lamp height and balance.
- Connect the AC and dimming wires(optional)
- Wrap the wire with metal materials and turn on the power.

Simplified instructions. Reference full installation guide for more details. Only qualified personnel should perform installation.

QUICK SPECS

INPUT VOLTAGE	120-277V AC
EFFICACY	130 LPW
OPERATING TEMP	-35°C to 55°C
MAX. CASE TEMP	55°C
POWER FACTOR/THD	>0.9 Power Factor, THD<20%
CRI	80+
BEAM ANGLE	120°
RATED LIFE	L70 LED Lifetime > 100,000 hrs
WARRANTY	5 years
CERTIFICATIONS	 Suitable for damp locations
PERFORMANCE LISTINGS	DLC In Progress

DIMENSIONS



DIMENSIONS (INCHES)	A	B	C	D
RPT-LEDHB-24IN-140L	23.8	12.6	1.97	3.78
RPT-LEDHB-24IN-200L	23.8	17.3	1.97	3.78
RPT-LEDHB-48IN-300L	45.9	12.6	1.97	3.78
RPT-LEDHB-48IN-400L	45.9	17.3	1.97	3.78

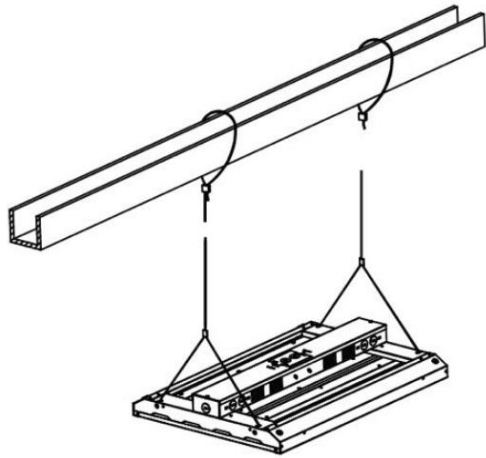
LEDHB LINEAR HIGH-BAY LED LUMINAIRE

ORDERING GUIDE

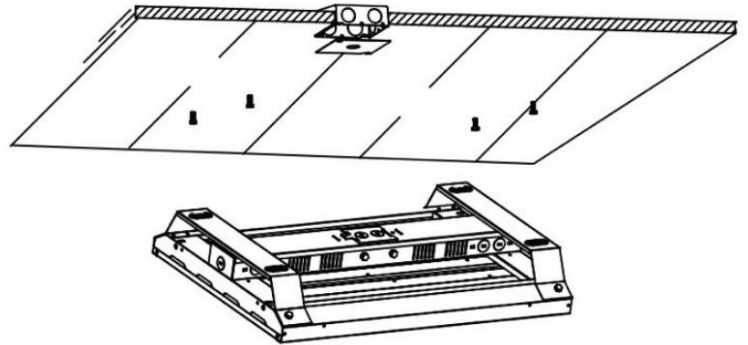
CASE QTY	ENERGY STAR	DLC	PART #	LUMEN OUTPUT (LM)	WATTAGE (W)	CCT (K)	VOLTAGE RANGE (V _{AC})	WARRANTY (YRS)	TRADITIONAL EQUIVALENT
2			RPT-LEDHB-24IN-140L-850-G1	14410	110	5000	120-277	5	250W MH/HID
2			RPT-LEDHB-24IN-200L-850-G1	21222	162	5000	120-277	5	400W MH/HID
2			RPT-LEDHB-48IN-170L-850-G1	17685	130	5000	120-277	5	4x54 T5HO FL
2			RPT-LEDHB-48IN-230L-850-G1	23318	178	5000	120-277	5	6x54 T5HO FL
2			RPT-LEDHB-48IN-300L-850-G1	29213	223	5000	120-277	5	8x54 T5HO FL
2			RPT-LEDHB-48IN-400L-850-G1	41920	321	5000	120-277	5	8x54 T5HO FL

P Fixtures are DLC Premium

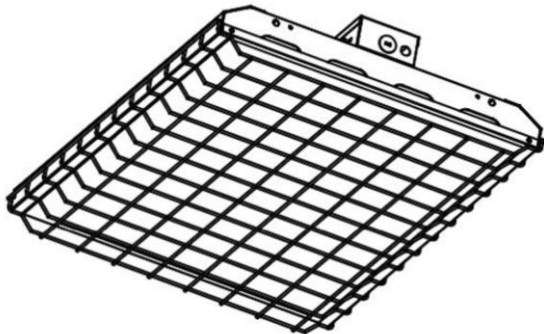
INSTALLATION OPTIONS/ACCESSORIES



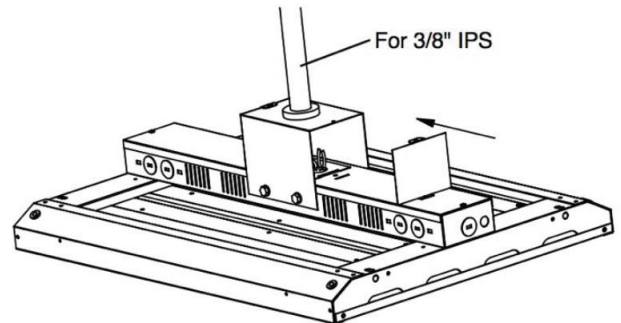
Suspension Mounting
RPT-LEDHB-VCLIP
(Included)



Surface Mounting
RPT-LEDHB-SMK
(Mounting Accessory)






Wire Guard
RPT-LEDHB-WG
(Fixture Accessory)



Pendant Mounting
RPT-LEDHB-PMK
(Mounting Accessory)

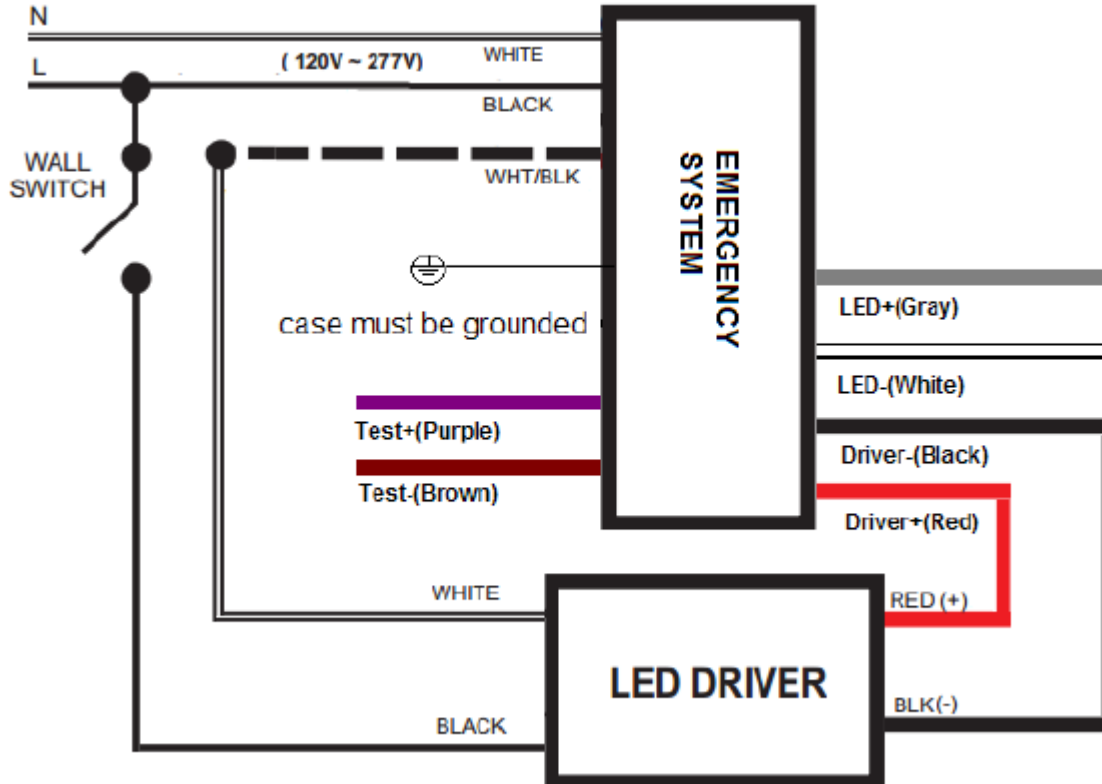
EMERGENCY POWER PACK



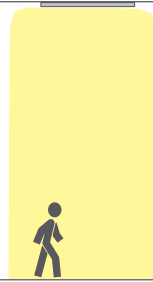
INPUT VOLTAGE	120-277V AC
RECHARGE POWR	8W MAX
STANDBY POWER	0.4-0.8W
MAX. CASE TEMP	70°C
PROTECTIONS	OUTPUT SHORT, OUTPUT OPEN
EMERGENCY TIME	90 min. @25W & 10~50° C
BATTERY	LiFePO4 9.6VDC 6AH
WARRANTY	5 years
CERTIFICATIONS	  

Information is subject to change without notice.

If requested, the LEDHB series can be equipped with an emergency battery backup unit. This emergency unit complies with the test requirements of UL924. When AC power fails, the LEDHB equipped with the emergency battery backup unit immediately switches to the emergency mode, operating the fixture at a reduced lumen output for a minimum of 90 minutes. When AC power is restored, the emergency battery backup unit automatically returns to the charging mode. The recharge time for the internal battery is 48 hours max.. An unswitched AC line is required for fixtures with the emergency battery backup unit. A wiring diagram is shown below.



FACTORY INSTALLED OCC SENSOR



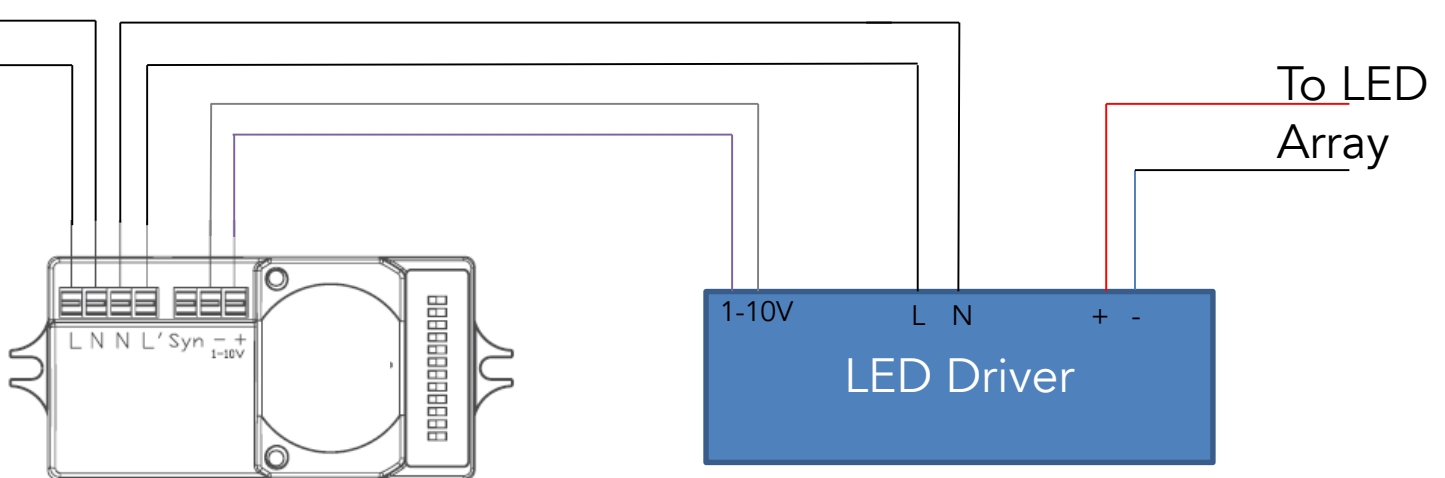
OCCUPIED (HIGH LIGHT LEVEL)



UNOCCUPIED (CONFIGURABLE LIGHT LEVEL)

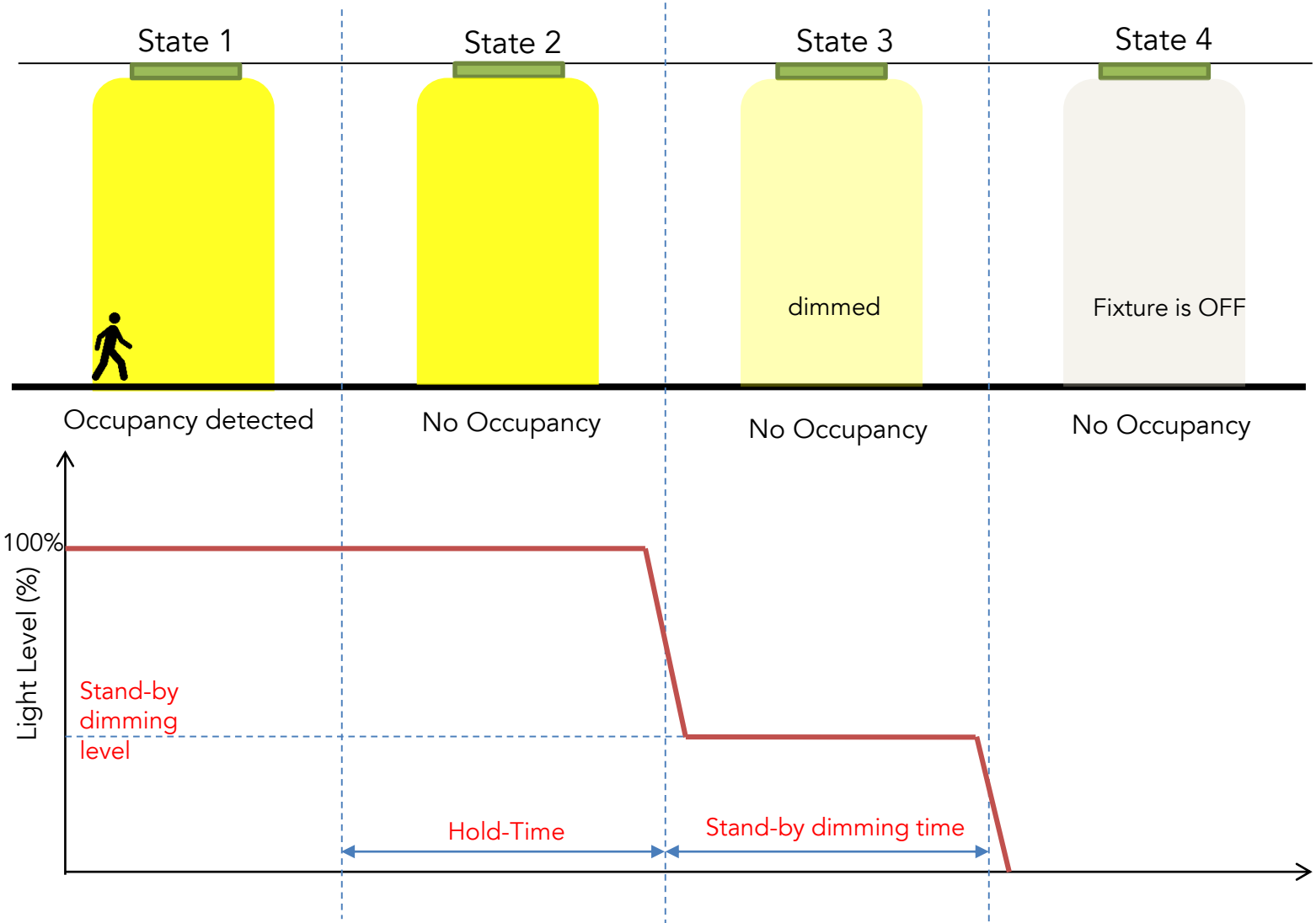
This fixture can be paired with our integral occupancy sensor for maximum energy savings. Unlike traditional passive infrared sensors (PIR) or ultrasonic occupancy sensors, this high-frequency sensor can be hidden behind the lens eliminating the need for an external sensor and providing a clean look.

FACTORY INSTALLED OCC SENSOR (HC403VRC CONTROL MODULE) - WIRING

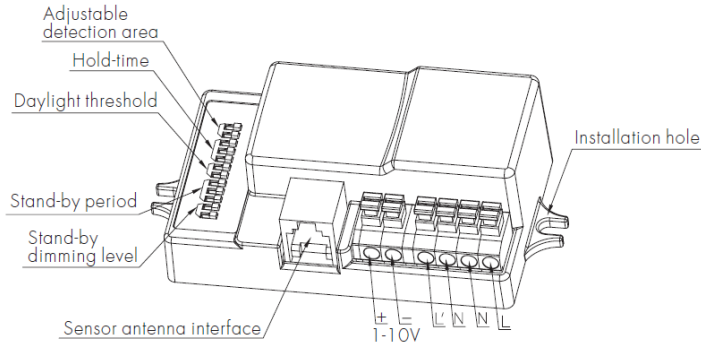


- 1 Sensor controlling 1 LED driver.
- Control is achieved via 0-10V dimming.
- The OCC module has a built-in relay (or switch) that can disconnect power to the LED driver when no occupancy is detected.

FACTORY INSTALLED OCC SENSOR (HC403VRC CONTROL MODULE) – APPLICATION SCENARIO



FACTORY INSTALLED OCC SENSOR (HC403VRC CONTROL MODULE) – CONFIGURATION



Model: HC403VRC-KD

Hold-Time

	1	2	3	Hold-Time
I	●	●	●	5 secs
II	●	●	○	30 secs
III	●	○	○	1 min
IV	●	○	○	5 min
V	○	●	●	10 min
VI	○	●	○	20 min
VII	○	○	○	30 min

Daylight threshold

	1	2	Light Levels
I	●	●	Disabled
II	●	○	50 Lux
III	○	●	10 Lux
IV	○	○	2 Lux

Note:
This setting will not work with the LEDPANEL since the daylight sensor is hidden (behind the lens) and it cannot read natural light. This is disabled at the factory.

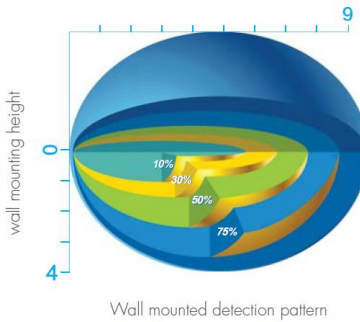
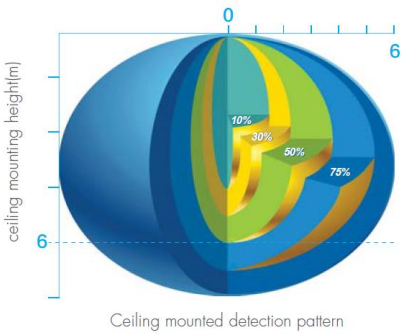
Stand-by period

	1	2	3	Stand-by time
I	●	●	●	0 secs
II	●	●	○	10 secs
III	●	○	●	1 min
IV	●	○	○	5 min
V	○	●	●	10 min
VI	○	●	○	30 min
VII	○	○	●	1 hr
VIII	○	○	○	Forever

Stand-by dimming level

	1	2	Stand-by dimming level
I	●	●	10%
II	●	○	20%
III	○	●	30%
IV	○	○	50%

See next page to understand behavior when stand-by period is set to 'forever'



Detection Area

	1	2	Detection Area
I	●	●	100%
II	●	○	75%
III	○	●	50%
IV	○	○	10%

Factory Default Settings:

Detection range: 100%
 Hold-time: 5 sec
 Stand-by period: 10 sec
 Stand-by dimming level: 10%
 Daylight sensor: Disabled

FACTORY INSTALLED OCC SENSOR (HC403VRC CONTROL MODULE) – APPLICATION SCENARIO

